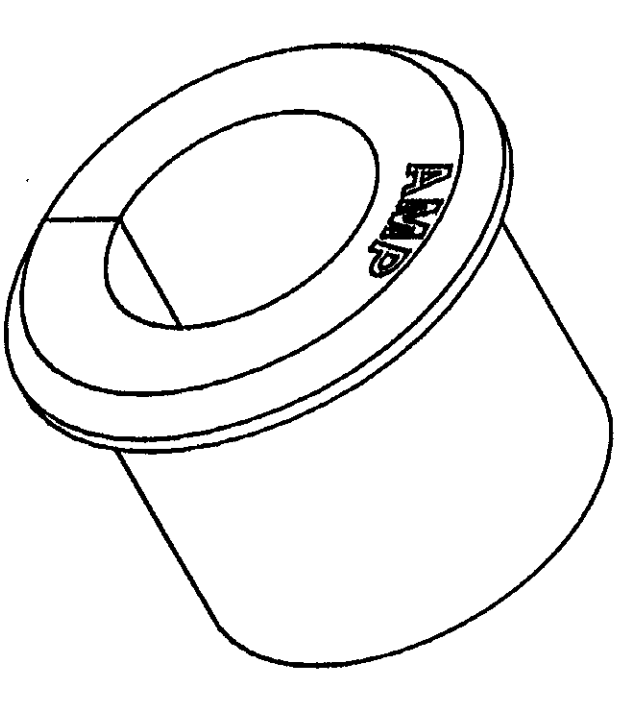
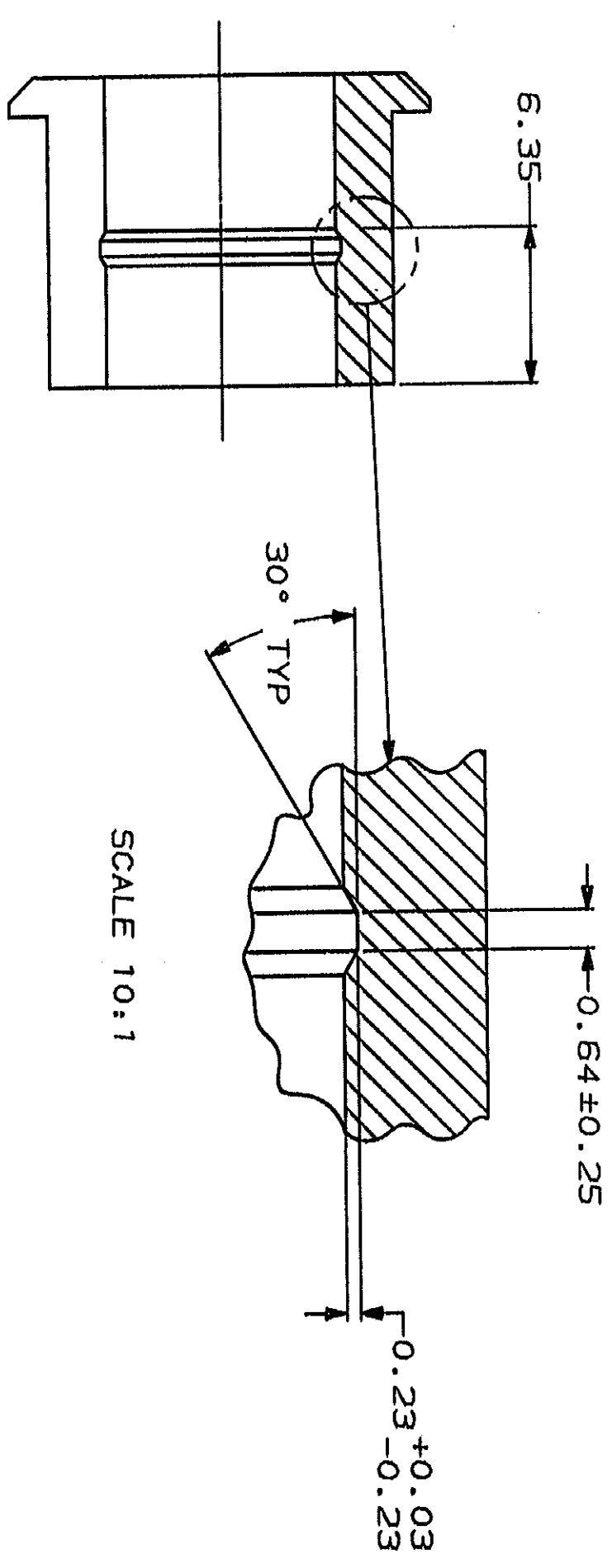
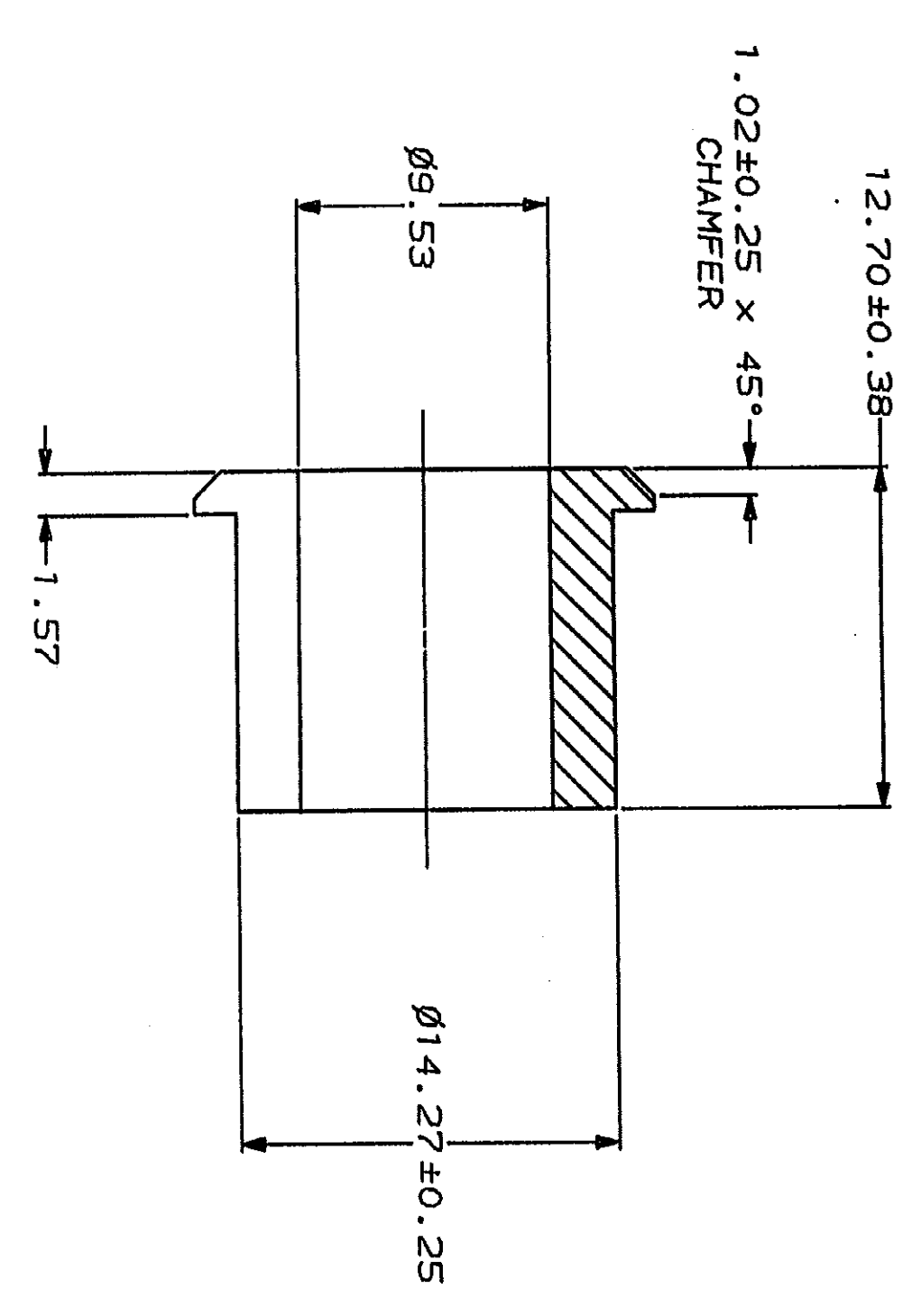
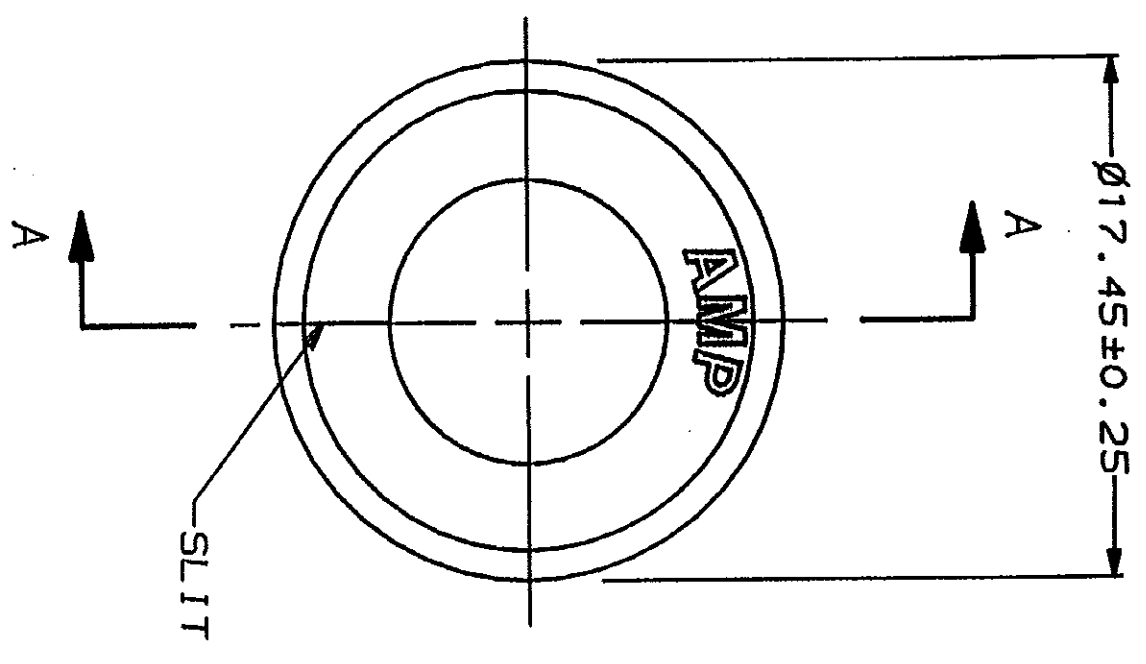


REV	DATE	APPD	DESCRIPTION
CM 53	12-6-89	KU	REVISIONS
			REDWN AND REV PER ECN CM-2599



3-DIMENSIONAL MODEL NTS

MM	IN	MM	IN	MM	IN
0.38	.015	9.53	.375	-	-
0.25	.010	6.35	.250	-	-
0.23	.009	1.57	.062	17.45	.687
0.13	.005	1.02	.040	14.27	.562
0.03	.001	0.64	.025	12.70	.500

CONVERSION TABLE

METRIC

DO NOT SCALE PRINT. UNLESS SPECIFIED DIMENSIONS IN mm (INCHES) TOLERANCES IN mm:	DR	DATE	NAME
1 PLC DEC ± 0.13	CHK	12-8-89	AMP INCORPORATED
2 PLC DEC ± 0.13	APPD	12-8-89	Harrisburg, Pa. 17105
3 PLC DEC ± 1.0	APPD	12-11-89	
ANGLES ± 1°	PRODUCT SPEC		
MATERIAL	APPLICATION SPEC		
	WEIGHT		
FINISH	SCALE	4:1	

GROMMET, SPLIT, M.R.

PART NO 1-380936-0

CUSTOMER DRAWING

380936